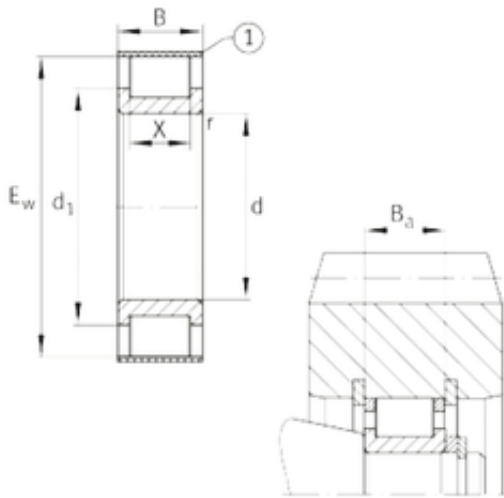




# LAD Bearing International Trade Co., ...



## INA RSL182305-A cylindrical roller bearings

Bearing No. RSL182305-A

Size	25x53.717x24 mm
Bore Diameter	25 mm
Outer Diameter	53,717 mm
Width	24 mm
d	25 mm
Ew	53,717 mm
B	24 mm
Ba	21,8 mm
X	15 mm
d1	36,7 mm
r min.	1,1 mm
Weight	0,21 Kg
Basic dynamic load rating (C)	63 kN

RSL182305-A Bearing 2D drawings and 3D CAD models