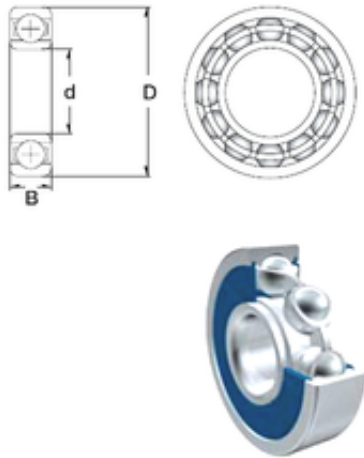




LAD Bearing International Trade Co., ...

ZEN S1606-2RS deep groove ball bearings



Bearing No. S1606-2RS

| | |
|-------------------------------|-----------------------|
| Size | 9.525x23.018x7.937 mm |
| Bore Diameter | 9,525 mm |
| Outer Diameter | 23,018 mm |
| Width | 7,937 mm |
| d | 9,525 mm |
| D | 23,018 mm |
| B | 7,937 mm |
| C | 7,937 mm |
| Weight | 0,021 Kg |
| Basic dynamic load rating (C) | 2,065 kN |

S1606-2RS Bearing 2D drawings and 3D CAD models