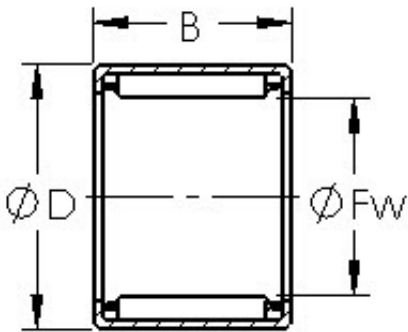




LAD Bearing International Trade Co., ...



AST HK0910 needle roller bearings

Bearing No. HK0910

Size	9x13x10 mm
Bore Diameter	9 mm
Outer Diameter	13 mm
Width	10 mm
Bearing Type	Cage Retained Rollers
Outer Dia (D)	13.0000
Width (B)	10.0000
Dynamic Load Rating (Cr)	4,250
Static Load Rating (Cor)	4,650
Max Speed (Grease) (X1000 RPM)	25,000
Shaft (Fw)	9.000
Weight (g)	4.00
Material - Drawn cup: Hardened carbon steel alloy, Rollers	52100 Chrome steel or equivalent

HK0910 Bearing 2D drawings and 3D CAD models