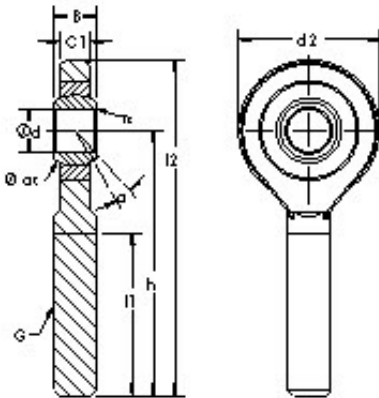




# LAD Bearing International Trade Co., ...



SAZJ6 Bearing 2D drawings and 3D CAD models

## AST SAZJ6 plain bearings

Bearing No. SAZJ6

Bore Diameter	6,35 mm
Width	9,525 mm
Bearing Type - steel-on-steel	steelonsteel
Bore Dia (d)	0.2500
Width (B)	0.3750
Radius (min) (rs)	0.012
Dynamic Load Rating (Cr)	1,214
Static Load Rating (Cor)	1,484
Spherical Diameter (dk or Dk)	0.500
Mis-alignment Angle (a deg.)	13.5
Thread Length (l1)	1.000
Bore Center to End of Rod (h)	1.562
Rod Overall Length (l2)	1.937
Rod End Thickness (C1)	0.250
Thread Size (G) - 1/4-28 UNF	1/428 UNF
Rod End Width (d2)	0.750
Weight (g)	18.00
Material - Body - Carbon steel-zinc plated, Ball - Hardened chrome steel-chrome plated	Hardened chrome steelchrome plated