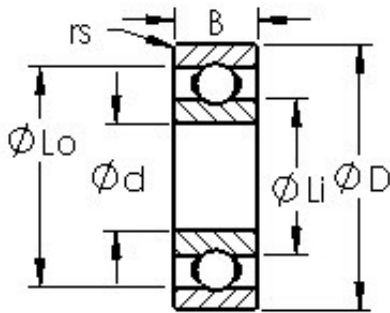




LAD Bearing International Trade Co., ...



AST 607H deep groove ball bearings

Bearing No. 607H

Size	7x19x6 mm
Bore Diameter	7 mm
Outer Diameter	19 mm
Width	6 mm
Bearing Type	Open
Bore Dia (d)	7.0000
Outer Dia (D)	19.0000
Width (B)	6.0000
Radius (min) (rs)	0.300
Dynamic Load Rating (Cr)	1,986
Static Load Rating (Cor)	717
Max Speed (Grease) (X1000 RPM)	36
Max Speed (Oil) (X1000 RPM)	43
Max. Shaft Shoulder Dia. Inner (Li)	10.1
Min. Housing Shoulder Dia., Outer (Lo)	15.0
Ball Qty	6
Ball Dia (Dw)	3.5000
Weight (g)	7.80
Precision	A1
Standard Clearance	K25
Material	Martensitic Stainless Steel

607H Bearing 2D drawings and 3D CAD models