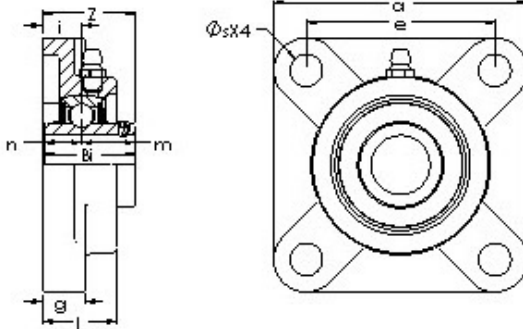




LAD Bearing International Trade Co., ...



AST UCF 211-35E bearing units

Bearing No. UCF 211-35E

Bore Diameter	55,5625 mm
Bearing Type	Cast iron housing
Dynamic Load Rating (Cr)	9,742
Static Load Rating (Cor)	6,612
Shaft Dia. (Fw)	2.1875
Mounting Hole Center-to-Center (e)	5.1250
Housing Length (a)	6.3750
Housing Base Thickness (g)	0.7188
Bearing Inner Race Width (Bi)	2.1890
Bearing Inner Race Width - Short Side (n)	0.8740
Bearing Inner Race Width - Extended Side (m)	1.3150
Mounting Bolt Size	0.6250
Bearing Number - UC 211-35	UC 21135
Housing Number	F 211E
Mounting Hole Dia. (s)	0.6719
Flange Assembly Height (Z)	2.3130
Flange Height (l)	1.8750
Mounting Base to Bearing Center (i)	0.9844
Weight (g)	3,492.64
Material	Cast iron housing, chrome steel bearing

UCF 211-35E Bearing 2D drawings and 3D CAD models