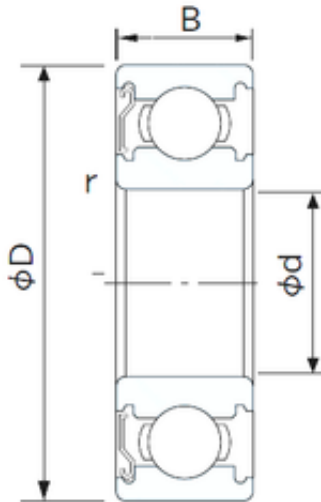




LAD Bearing International Trade Co., ...



CYSD 6902-Z deep groove ball bearings

Bearing No. 6902-Z

Size	15x28x7 mm
Bore Diameter	15 mm
Outer Diameter	28 mm
Width	7 mm
d	15 mm
D	28 mm
B	7 mm
C	7 mm
r min.	0,3 mm
Weight	0,018 Kg
Basic dynamic load rating (C)	4 kN

6902-Z Bearing 2D drawings and 3D CAD models