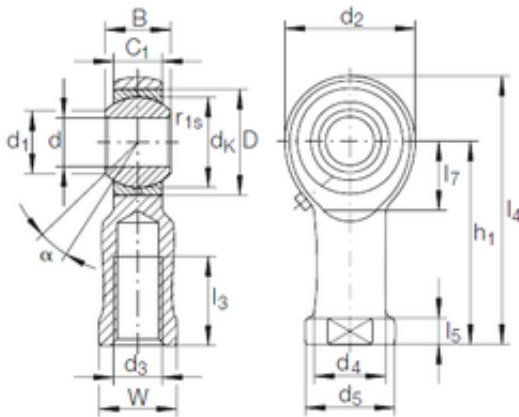




INA GIKR 6 PB plain bearings



GIKR 6 PB Bearing 2D drawings and 3D CAD models

Bearing No. GIKR 6 PB

Size	6x16x9 mm
Bore Diameter	6 mm
Outer Diameter	16 mm
Width	9 mm
d	6 mm
D	16 mm
B	9 mm
d1	8,9 mm
d2	20 mm
d4	10 mm
dk	12,7 mm
h1	30 mm
l3 min.	12 mm
l4 max.	40 mm
l5	5 mm
l7 min.	11 mm
r1 min.	0,3 mm
C1	6,75 mm
W	11 mm
Thread (G)	M6
Angle	13 °
d5	13 r/min
Weight	0,022 Kg
Basic dynamic load rating (C)	4,3 kN