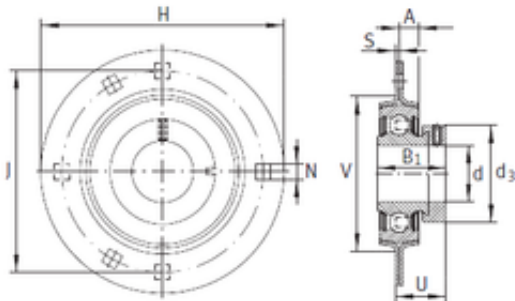




LAD Bearing International Trade Co., ...

INA RA12 bearing units



Bearing No. RA12

Bore Diameter	12 mm
d	12 mm
V	48 mm
U	24 mm
d ₃	28 mm
A	7 mm
B ₁	28,6 mm
H	81 mm
J	63,5 mm
N	7,1 mm
S	2 mm

RA12 Bearing 2D drawings and 3D CAD models