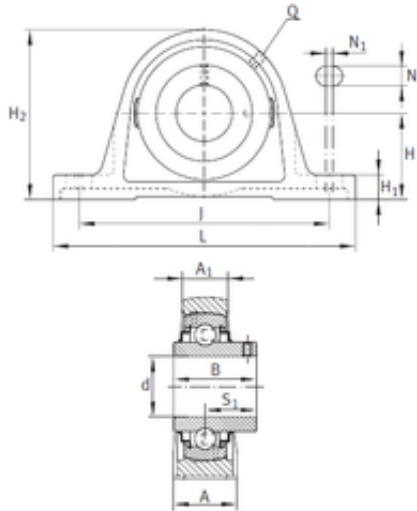




# LAD Bearing International Trade Co., ...



RASEY5/8 Bearing 2D drawings and 3D CAD models

## INA RASEY5/8 bearing units

Bearing No. RASEY5/8

Bore Diameter	15,875 mm
d	15,875 mm
S1	15,901 mm
Thread (Q) - 1/4-28 UNF	1/428 UNF
A	32,004 mm
A1	19 mm
B	27,407 mm
H	30,201 mm
H1	13,996 mm
H2	58 mm
J	91,999 mm
L	125 mm
N	10,999 mm
N1	10,999 mm
Category	Pillow Block Bearings
Inventory	0.0
Manufacturer Name	SCHAEFFLER GROUP
Minimum Buy Quantity	N/A
Weight / Kilogram	0.55
Product Group	M06110
Number of Mounting Holes	2
Mounting Method	Set Screw
Housing Style	2 Bolt Pillow Block
Rolling Element	Ball Bearing
Housing Material	Cast Iron
Expansion / Non-expansion	Non-expansion



## LAD Bearing International Trade Co., ...

Relubricatable	Yes
Insert Part Number	GY1010KRRB
Seals	Double Land Riding Rubber Contact
Housing Configuration	1 Piece Solid
Inch - Metric	Inch
Other Features	Single Row   Standard Shaft Height
Long Description	2 Bolt Pillow Block; 5/8" Bore; 1-3/16" Base to Center Height; Set Screw Mount; Ball Bearing; 3-3/16" Minimum Bolt Spacing; 4.055" Bolt Spacing Maximum; Relubricatable; Cast Iron;
Category	Pillow Block
UNSPSC	31171511
Harmonized Tariff Code	8483.20.40.40
Noun	Bearing
Keyword String	Pillow Block
Manufacturer URL	<a href="http://www.ina.com">http://www.ina.com</a>
Manufacturer Item Number	RASEY5/8
Weight / LBS	1.21
Length Thru Bore	1.079 Inch   27.4 Millimeter
Actual Bolt Center to Center	0 Inch   0 Millimeter
Bore	0.625 Inch   15.875 Millimeter
Bolt Spacing Minimum	3.189 Inch   81 Millimeter
Bolt Spacing Maximum	4.055 Inch   103 Millimeter
Nominal Bolt Center to Center	3.6 Inch   92 Millimeter
Base to Center Height	1.188 Inch   30.175 Millimeter