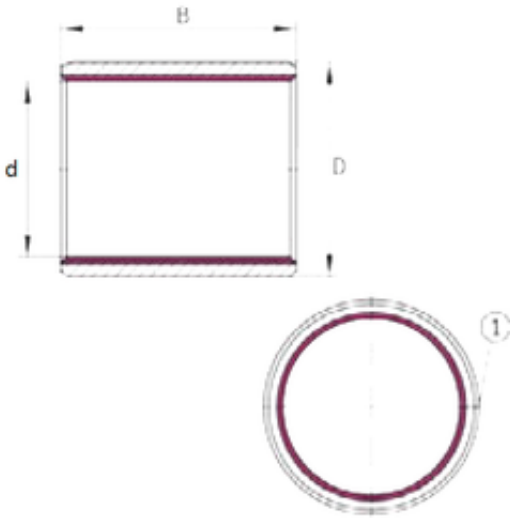




LAD Bearing International Trade Co., ...



EGB2510-E40 Bearing 2D drawings and 3D CAD models

INA EGB2510-E40 plain bearings

Bearing No. EGB2510-E40

Size	25x28x10 mm
Bore Diameter	25 mm
Outer Diameter	28 mm
Width	10 mm
d	25 mm
D	28 mm
B	10 mm
Category	Sleeve Bearings
Inventory	0.0
Manufacturer Name	SCHAEFFLER GROUP
Minimum Buy Quantity	N/A
Weight / Kilogram	0.011
EAN	4012802759358
Product Group	B04264
Profile	Bushing No Flange Split
Material Description	Steel Backing, Bronze Innerstructure, PTFE-lead Overlay
Material	Permaglide P10
Inch - Metric	Metric
Long Description	25MM Nominal Bore; 28MM Nominal Outside Diameter; 10MM Length Thru Bore; Bushing No Flange Split Profile; Steel Backing, Bronze Innerstructure, PTFE-lead Overlay; Permaglide P10 Material



LAD Bearing International Trade Co., ...

Category	Sleeve Bearings
UNSPSC	31171515
Harmonized Tariff Code	84833080
Noun	Bearing
Keyword String	Plain
Manufacturer URL	http://www.ina.com
Manufacturer Item Number	PAP2510P10
Weight / LBS	0.025
Nominal Bore	0.984 Inch 25 Millimeter
Nominal Outside Diameter	1.102 Inch 28 Millimeter
Length Thru Bore	0.394 Inch 10 Millimeter