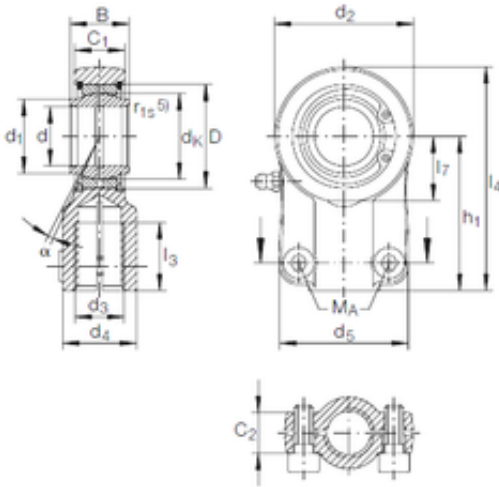




INA GIHN-K 20 LO plain bearings



Bearing No. GIHN-K 20 LO

GIHN-K 20 LO Bearing 2D drawings and 3D CAD models

Size	20x35x20 mm
Bore Diameter	20 mm
Outer Diameter	35 mm
Width	20 mm
d	20 mm
D	35 mm
B	20 mm
Screw	M8X20
d1	25 mm
d2	47 mm
d4	25 mm
dk	29 mm
h1	52 mm
l3 min.	23 mm
l4 max.	75,2 mm
l7 min.	22 mm
C1	17 mm
Thread (G)	M16X1,5
Angle	4 °
d5	47 r/min
C2	17 mm
Weight	0,4 Kg
Basic dynamic load rating (C)	30 kN