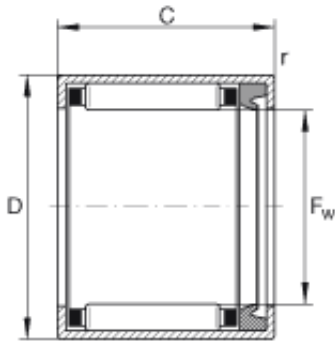




LAD Bearing International Trade Co., ...



INA HK1614-RS needle roller bearings

Bearing No. HK1614-RS

Size	16x22x14 mm
Bore Diameter	16 mm
Outer Diameter	22 mm
Width	14 mm
F_w	16 mm
D	22 mm
C - 14 mm / Tolerance: -0,3	14 mm / Tolerance: 0,3
r_{min}	0,8 mm
m	13 g / Weight
C_r	7600 N / Dynamic load rating (radial)
C_{Or}	9700 N / Static load rating (radial)
C_{ur}	1160 N / Fatigue limit load, radial
$n_{G\text{ Fett}}$	11000 1/min / Limiting speed for grease lubrication
	IR12X16X20 / Suitable inner ring
Category	Needle Non Thrust Roller Bearings
Inventory	0.0
Manufacturer Name	SCHAEFFLER GROUP
Minimum Buy Quantity	N/A
Weight / Kilogram	0
EAN	4054362392569
Product Group	B04144
Rolling Element	Needle Roller Bearing

HK1614-RS Bearing 2D drawings and 3D CAD models



LAD Bearing International Trade Co., ...

Component	Roller Assembly with Outer Ring - No Inner Ring
Enclosure	1 Seal
Self Aligning	No
Retainer	Yes
Number of Rows of Rollers	Single Row
Separable	No
Closed End	No
Inch - Metric	Metric
Relubricatable	No
Thrust Bearing	No
Long Description	16MM Bore; 22MM Outside Diameter; 14MM Width; Needle Roller Bearing; Roller Assembly with Outer Ring - No Inner Ring; 1 Seal; Not Self Aligning; Retainer; Single Row of Rollers; Not Separable; Not Clo
Other Features	2 Rib Outer Ring Drawn Cup Bearing Steel Cage
Category	Needle Non Thrust Roller Bearing
UNSPSC	31171512
Harmonized Tariff Code	8482.99.65.30
Noun	Roller Assembly with Outer Ring
Keyword String	Bearing Needle
Manufacturer URL	http://www.ina.com
Manufacturer Item Number	HK1614RS
Weight / LBS	0.029
Bore	0.63 Inch 16 Millimeter
Width	0.551 Inch 14 Millimeter
Outside Diameter	0.866 Inch 22 Millimeter