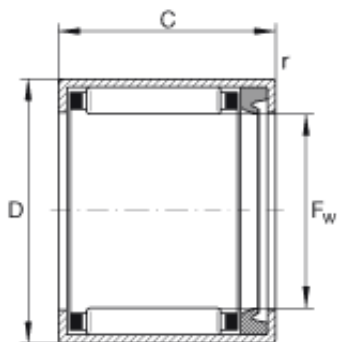




LAD Bearing International Trade Co., ...



INA HK2218-RS needle roller bearings

Bearing No. HK2218-RS

Size	22x28x18 mm
Bore Diameter	22 mm
Outer Diameter	28 mm
Width	18 mm
F_w	22 mm
D	28 mm
C - 18 mm / Tolerance: -0,3	18 mm / Tolerance: 0,3
r_{min}	0,8 mm
m	24 g / Weight
C_r	13400 N / Dynamic load rating (radial)
C_{Or}	22100 N / Static load rating (radial)
C_{ur}	2800 N / Fatigue limit load, radial
$n_{G\text{ Fett}}$	8000 1/min / Limiting speed for grease lubrication
	IR17X22X23 / Suitable inner ring
Category	Needle Non Thrust Roller Bearings
Inventory	0.0
Manufacturer Name	SCHAEFFLER GROUP
Minimum Buy Quantity	N/A
Weight / Kilogram	0
EAN	4026677167163
Product Group	B04144
Rolling Element	Needle Roller Bearing

HK2218-RS Bearing 2D drawings and 3D CAD models



LAD Bearing International Trade Co., ...

Component	Roller Assembly with Outer Ring - No Inner Ring
Enclosure	1 Seal
Self Aligning	No
Retainer	Yes
Number of Rows of Rollers	Single Row
Separable	No
Closed End	No
Inch - Metric	Metric
Relubricatable	No
Thrust Bearing	No
Long Description	22MM Bore; 28MM Outside Diameter; 18MM Width; Needle Roller Bearing; Roller Assembly with Outer Ring - No Inner Ring; 1 Seal; Not Self Aligning; Retainer; Single Row of Rollers; Not Separable; Not Clo
Other Features	2 Rib Outer Ring Drawn Cup Bearing Steel Cage
Category	Needle Non Thrust Roller Bearing
UNSPSC	31171512
Harmonized Tariff Code	8482.99.65.30
Noun	Roller Assembly with Outer Ring
Keyword String	Bearing Needle
Manufacturer URL	http://www.ina.com
Manufacturer Item Number	HK2218RS
Weight / LBS	0.053
Outside Diameter	1.102 Inch 28 Millimeter
Bore	0.866 Inch 22 Millimeter
Width	0.709 Inch 18 Millimeter