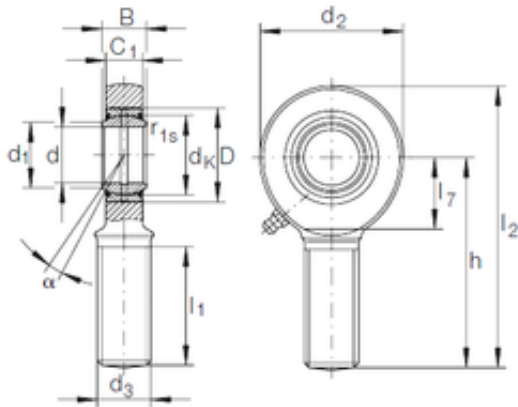




## INA GAR 60 DO-2RS plain bearings



Bearing No. GAR 60 DO-2RS

Size	60x90x44 mm
Bore Diameter	60 mm
Outer Diameter	90 mm
Width	44 mm
d	60 mm
D	90 mm
B	44 mm
d1	66,8 mm
d2	135 mm
dk	80 mm
h	210 mm
l1 min.	115 mm
l2 max.	277,5 mm
l7 min.	75 mm
r1 min.	1 mm
C1	38 mm
Thread (G)	M52X3
Angle	6 °
Weight	5,9 Kg
Basic dynamic load rating (C)	245 kN

GAR 60 DO-2RS Bearing 2D drawings and 3D CAD models