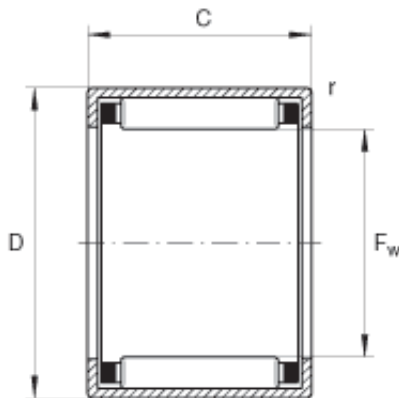




LAD Bearing International Trade Co., ...



HK2010 Bearing 2D drawings and 3D CAD models

INA HK2010 needle roller bearings

Bearing No. HK2010

Size	20x26x10 mm
Bore Diameter	20 mm
Outer Diameter	26 mm
Width	10 mm
F_w	20 mm
D	26 mm
C - 10 mm / Tolerance: -0,3	10 mm / Tolerance: 0,3
r_{min}	0,8 mm
m	12 g / Weight
C_r	6300 N / Dynamic load rating (radial)
C_{or}	8100 N / Static load rating (radial)
C_{ur}	1010 N / Fatigue limit load, radial
n_G	12700 1/min / Limiting speed
n_B	9300 1/min / Reference speed
Category	Needle Non Thrust Roller Bearings
Inventory	0.0
Manufacturer Name	SCHAEFFLER GROUP
Minimum Buy Quantity	N/A
Weight / Kilogram	0.01
EAN	4054364120436
Product Group	B04144
Rolling Element	Needle Roller Bearing



LAD Bearing International Trade Co., ...

Component	Roller Assembly with Outer Ring - No Inner Ring
Enclosure	Open
Self Aligning	No
Retainer	Yes
Number of Rows of Rollers	Single Row
Separable	No
Closed End	No
Inch - Metric	Metric
Relubricatable	No
Thrust Bearing	No
Long Description	20MM Bore; 26MM Outside Diameter; 10MM Width; Needle Roller Bearing; Roller Assembly with Outer Ring - No Inner Ring; Open Enclosure; No Self Aligning; Retainer; Single Row of Rollers; No Separable; N
Other Features	2 Rib Outer Ring Drawn Cup Bearing Steel Cage
Category	Needle Non Thrust Roller Bearing
UNSPSC	31171512
Harmonized Tariff Code	8482.40.00.00
Noun	Bearing
Keyword String	Needle
Manufacturer URL	http://www.ina.com
Manufacturer Item Number	HK2010
Weight / LBS	0.026
Outside Diameter	1.024 Inch 26 Millimeter
Width	0.394 Inch 10 Millimeter
Bore	0.787 Inch 20 Millimeter