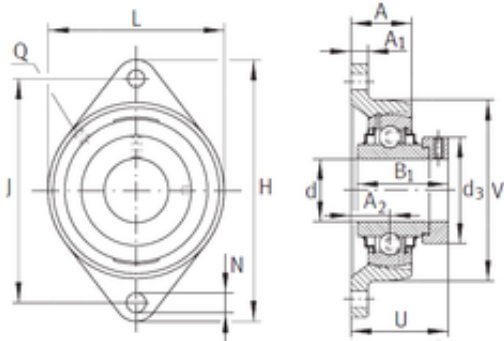




LAD Bearing International Trade Co., ...

INA RCJT1-7/16 bearing units



Bearing No. RCJT1-7/16

Bore Diameter	36,513 mm
d	36,513 mm
V	92,507 mm
U	53,492 mm
Thread (Q)	1/8 NPT
d3	51,003 mm
A	34,493 mm
A1	13,995 mm
B	51,308 mm
H	156,007 mm
J	129,997 mm
L	92,507 mm
N	13,995 mm
A2	21,006 mm

RCJT1-7/16 Bearing 2D drawings and 3D CAD models