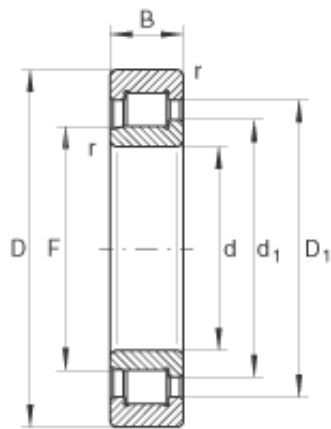




INA SL192336-TB cylindrical roller bearings



Bearing No. SL192336-TB

Size	180x380x126 mm
Bore Diameter	180 mm
Outer Diameter	380 mm
Width	126 mm
d	180 mm
D	380 mm
B	126 mm
D ₁	312,9 mm
d ₁	245 mm
F	221,56 mm
r _{min}	4 mm
s	7 mm / Axial displacement
m	69,1 kg / Weight
C _r	1940000 N / Dynamic load rating (radial)
C _{0r}	2600000 N / Static load rating (radial)
C _{ur}	280000 N / Fatigue limit load, radial
n _G	1120 1/min / Limiting speed

SL192336-TB Bearing 2D drawings and 3D CAD models