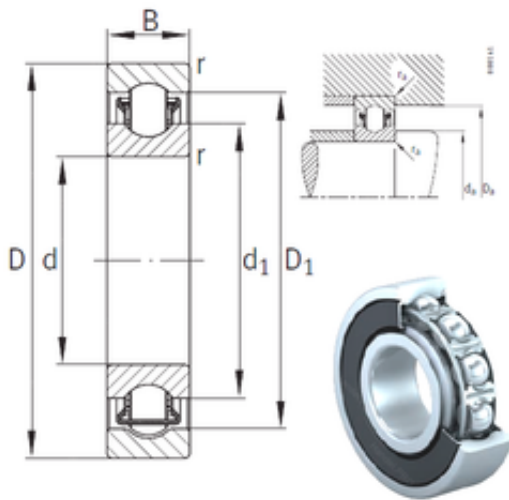




LAD Bearing International Trade Co., ...

INA BXRE009-2RSR needle roller bearings



Bearing No. BXRE009-2RSR

Size	45x75x16 mm
Bore Diameter	45 mm
Outer Diameter	75 mm
Width	16 mm
d	45 mm
D	75 mm
B	16 mm
C	16 mm
d1	55,6 mm
r min.	1 mm
D1	65,7 mm
da min.	49,6 mm
Da max.	70,4 mm
ra max.	1 mm
Weight	0,258 Kg
Basic dynamic load rating (C)	31 kN
Basic static load rating (C0)	27,5 kN
Fatigue load limit (Pu)	1 400

BXRE009-2RSR Bearing 2D drawings and 3D CAD models