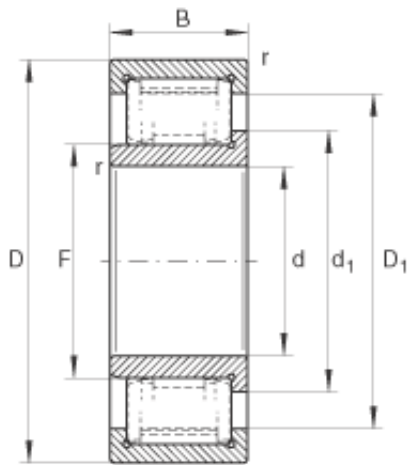




# LAD Bearing International Trade Co., ...



## INA ZSL192322-TB cylindrical roller bearings

Bearing No. ZSL192322-TB

Size	110x240x80 mm
Bore Diameter	110 mm
Outer Diameter	240 mm
Width	80 mm
d	110 mm
D	240 mm
B	80 mm
D <sub>1</sub>	199,9 mm
d <sub>1</sub>	151,1 mm
F	134,27 mm
r <sub>min</sub>	3 mm
s	5 mm / Axial displacement
m	16,5 kg / Weight
C <sub>r</sub>	890000 N / Dynamic load rating (radial)
C <sub>0r</sub>	900000 N / Static load rating (radial)
C <sub>ur</sub>	148000 N / Fatigue limit load, radial
n <sub>G</sub>	3850 1/min / Limiting speed

ZSL192322-TB Bearing 2D drawings and 3D CAD models