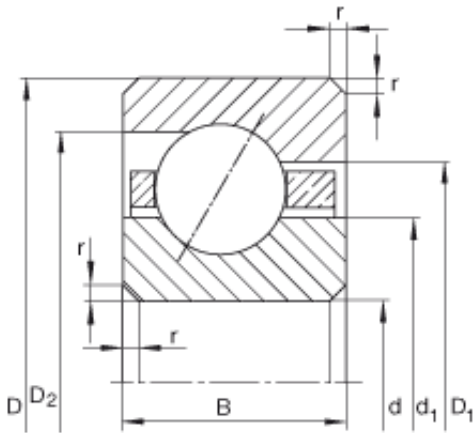




LAD Bearing International Trade Co., ...

INA CSEB030 deep groove ball bearings

Bearing No. CSEB030



CSEB030 Bearing 2D drawings and 3D CAD models

Size	76.2x92.075x7.938 mm
Bore Diameter	76,2 mm
Outer Diameter	92,075 mm
Width	7,938 mm
d	76,2 mm
d	3 inch
D	92,075 mm
B	7,938 mm
D ₁	86,2 mm
D ₂	88 mm
d ₁	82,1 mm
r _{min}	1 mm
m	0,11 kg / Weight
C _r	5400 N / Dynamic load rating (radial)
C _{0r}	6100 N / Static load rating (radial)
Category	Angular Contact Ball Bearings
Inventory	0.0
Manufacturer Name	SCHAEFFLER GROUP
Minimum Buy Quantity	N/A
Weight / Kilogram	0.11
EAN	4047643189149
Product Group	B00308
Enclosure	Open
Flush Ground	No



LAD Bearing International Trade Co., ...

Rolling Element	Ball Bearing
Number of Rows of Balls	Single Row
Precision Class	ABEC 1 ISO P0
Maximum Capacity / Filling Slot	No
Snap Ring	No
Cage Material	Brass
Internal Clearance	C0-Medium
Number of Bearings	1 (Single)
Inch - Metric	Inch
Long Description	3" Bore; 3-5/8" Outside Diameter; 5/16" Width; Open; No Flush Ground; Ball Bearing; Single Row of Balls; ABEC 1 ISO P0; No Filling Slot; No Snap Ring; C0-Medium; Brass Cage; 1 (Single)
Other Features	Thin Section
Category	Angular Contact Ball Bearing
UNSPSC	31171531
Harmonized Tariff Code	8482.10.50.28
Noun	Bearing
Keyword String	Angular Contact
Manufacturer URL	http://www.ina.com
Weight / LBS	0.23
Outside Diameter	3.625 Inch 92.075 Millimeter
Bore	3 Inch 76.2 Millimeter
Width	0.313 Inch 7.95 Millimeter