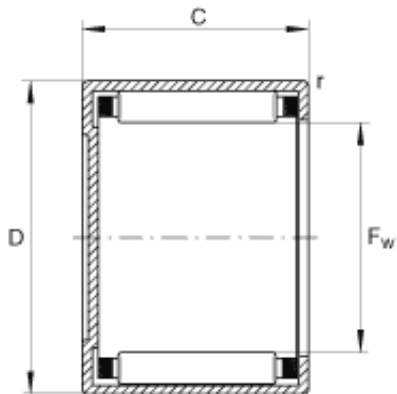




LAD Bearing International Trade Co., ...

INA BCH1212 needle roller bearings



Bearing No. BCH1212

Size	19.05x26.988x19.05 mm
Bore Diameter	19,05 mm
Outer Diameter	26,988 mm
Width	19,05 mm
F_w	3/4 inch
F_w	19,05 mm
D	1,063 inch
D	26,988 mm
C	0,75 inch
C	19,05 mm
m	0,06 lbs / Weight
m	27 g / Weight
C_r	4150 lbf / Dynamic load rating (radial)
C_r	18500 N / Dynamic load rating (radial)
C_{0r}	5300 lbf / Static load rating (radial)
C_{0r}	23600 N / Static load rating (radial)
n_G	12600 1/min / Limiting speed

BCH1212 Bearing 2D drawings and 3D CAD models