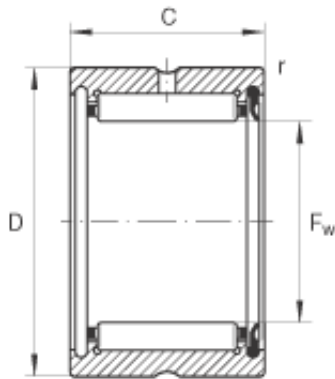




LAD Bearing International Trade Co., ...

INA RNA4908-RSR needle roller bearings



RNA4908-RSR Bearing 2D drawings and 3D CAD models

Bearing No. RNA4908-RSR

Size	48x62x22 mm
Bore Diameter	48 mm
Outer Diameter	62 mm
Width	22 mm
F_w	48 mm
D	62 mm
C	22 mm
r_{min}	0,6 mm
m	154 g / Weight
C_r	41000 N / Dynamic load rating (radial)
C_{Or}	53000 N / Static load rating (radial)
C_{ur}	8800 N / Fatigue limit load, radial
$n_{G\text{ Fett}}$	4200 1/min / Limiting speed for grease lubrication
Category	Needle Non Thrust Roller Bearings
Inventory	0.0
Manufacturer Name	SCHAEFFLER GROUP
Minimum Buy Quantity	N/A
Weight / Kilogram	0.15
EAN	4012802701562
Product Group	B04144
Rolling Element	Needle Roller Bearing
Component	Roller Assembly with Outer Ring - No Inner Ring



LAD Bearing International Trade Co., ...

Enclosure	1 Seal
Self Aligning	No
Retainer	Yes
Number of Rows of Rollers	Single Row
Separable	No
Closed End	No
Inch - Metric	Metric
Relubricatable	Yes
Thrust Bearing	No
Long Description	48MM Bore; 62MM Outside Diameter; 22MM Width; Needle Roller Bearing; Roller Assembly with Outer Ring - No Inner Ring; 1 Seal Enclosure; No Self Aligning; Retainer; Single Row of Rollers; No Separable;
Other Features	2 Rib Outer Ring Precision Bearing Steel Cage Ground Raceway with Rib Oil Hole
Category	Needle Non Thrust Roller Bearing
UNSPSC	31171512
Harmonized Tariff Code	8482.40.00.00
Noun	Bearing
Keyword String	Needle
Manufacturer URL	http://www.ina.com
Manufacturer Item Number	RNA4908RS
Weight / LBS	0.34
Width	0.866 Inch 22 Millimeter
Bore	1.89 Inch 48 Millimeter
Outside Diameter	2.441 Inch 62 Millimeter