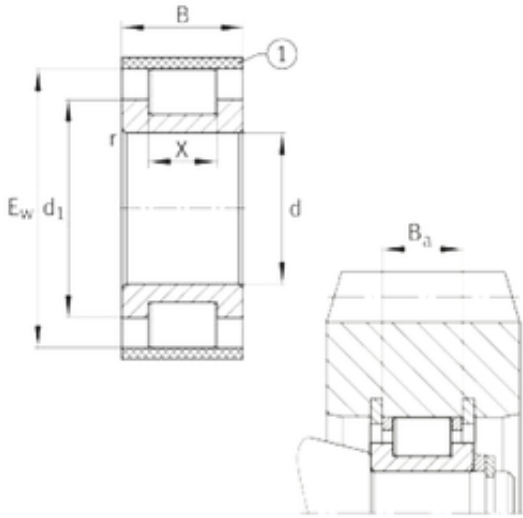




# LAD Bearing International Trade Co., ...



## INA RSL183038-A cylindrical roller bearings

Bearing No. RSL183038-A

Size	190x269.76x74 mm
Bore Diameter	190 mm
Outer Diameter	269,76 mm
Width	74 mm
d	190 mm
Ew	269,76 mm
B	74 mm
Ba	69,2 mm
X	48 mm
d1	222 mm
r min.	2,1 mm
Weight	11,3 Kg
Basic dynamic load rating (C)	840 kN

RSL183038-A Bearing 2D drawings and 3D CAD models