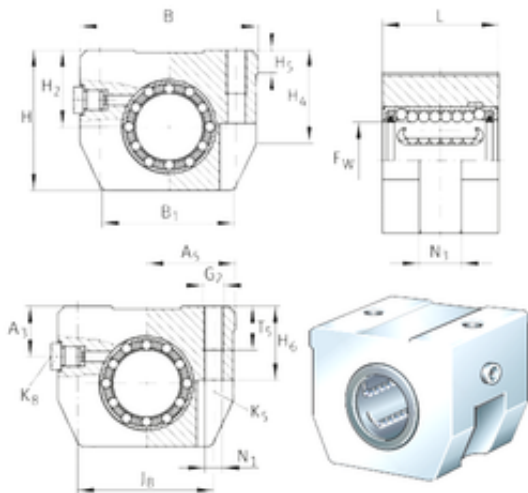




INA KGHK10-B-PP-AS bearing units

Bearing No. KGHK10-B-PP-AS



KGHK10-B-PP-AS Bearing 2D drawings and 3D CAD models

Bore Diameter	10 mm
Fw	10 mm
H4	25,1 mm
H5	5 mm
H6	16 mm
A5	20 mm
B	40 mm
B1	32 mm
H	33 mm
H2	16 mm
L	26,2 mm
N1	4,3 mm
A3	11 mm
N2	10 mm
Thread (G2)	M5
JB	29 mm
T5	11 mm
Thread (K5)	M4
Weight	0,07 Kg
Basic dynamic load rating (C)	0,51 kN