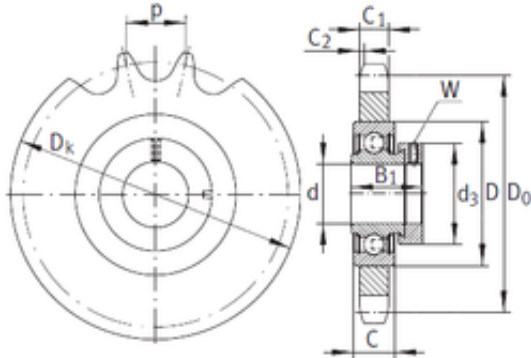




# LAD Bearing International Trade Co., ...

## INA KSR15-B0-12-10-13-08 bearing units



Bearing No. KSR15-B0-12-10-13-08

Bore Diameter	15 mm
d	15 mm
Number of teeth	13
Do	79,6 mm
Dk	87 mm
d3	28 mm
B1	28,6 mm
C	12 mm
C1	10,5 mm
D	40 mm
W	3 mm
C2	1,5 mm
Weight	0,4 Kg
1	DIN 8187

KSR15-B0-12-10-13-08 Bearing 2D drawings and 3D CAD models