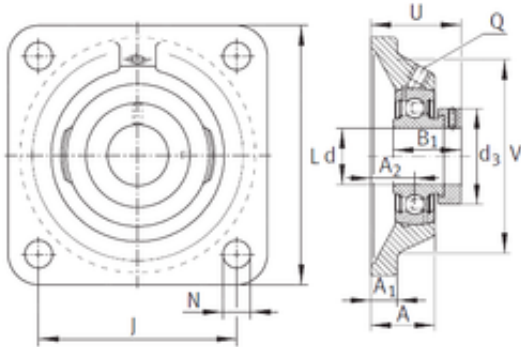




INA PCJ1/2 bearing units



Bearing No. PCJ1/2

| | |
|---------------------------|----------------------------|
| Bore Diameter | 12,7 mm |
| d | 12,7 mm |
| V | 59,004 mm |
| U | 39,091 mm |
| Thread (Q) - 1/4-28 UNF | 1/428 UNF |
| d3 | 27,991 mm |
| A | 24,003 mm |
| A1 | 10,008 mm |
| B | 28,6 mm |
| J | 54 mm |
| L | 75,997 mm |
| N | 11,506 mm |
| A2 | 16,993 mm |
| Category | Flange Block Bearings |
| Inventory | 0.0 |
| Manufacturer Name | SCHAEFFLER GROUP |
| Minimum Buy Quantity | N/A |
| Weight / Kilogram | 0.623 |
| Product Group | M06110 |
| Number of Mounting Holes | 4 |
| Mounting Method | Eccentric Collar |
| Housing Style | 4 Bolt Square Flange Block |
| Rolling Element | Ball Bearing |
| Housing Material | Cast Iron |
| Expansion / Non-expansion | Non-expansion |
| Mounting Bolts | 29/64 Inch |
| | |

PCJ1/2 Bearing 2D drawings and 3D CAD models



LAD Bearing International Trade Co., ...

| | |
|---------------------------------------|--|
| Relubricatable | Yes |
| Insert Part Number | GRA008NPPB |
| Seals | Double Lip Contact |
| Housing Configuration | 1 Piece Solid |
| Pilot Configuration | No Pilot |
| Inch - Metric | Inch |
| Long Description | 4 Bolt Square Flange Block; 1/2" Bore; 3" Bolt Circle; 2.126" Bolt Spacing; 1 Piece Solid; Eccentric Collar Mount; Cast Iron; Ball Bearing; 1-1/8" Length Thru Bore; Relubricatable; |
| Other Features | Single Row With Set Screw |
| Category | Flange Block |
| UNSPSC | 31171501 |
| Harmonized Tariff Code | 8483.20.40.40 |
| Noun | Bearing |
| Keyword String | Flanged |
| Manufacturer URL | http://www.ina.com |
| Manufacturer Item Number | PCJ1/2 |
| Weight / LBS | 1.103 |
| Length Thru Bore | 1.126 Inch 28.6 Millimeter |
| Bolt Spacing | 2.126 Inch 54 Millimeter |
| Bore | 0.5 Inch 12.7 Millimeter |
| Cartridge Pilot Diameter | 0 Inch 0 Millimeter |
| Cartridge Pilot Depth | 0 Inch 0 Millimeter |
| Nominal Bolt Circle Diameter Round | 3 Inch 76 Millimeter |